

# Panel Set, Answer, 1250 Insert (see part #'s below)

## CHECK CONDITION OF SHIPMENT

Upon receipt of this kit, check the condition of the packaging. Damage to the package should be noted on the carrier's freight receipt. Any damage claims as a result of shipping must be handled through the shipper. Travis Industries will provide assistance in resolving shipping claims or replacing items not included in the package. Please report any missing items immediately.

## COMPATIBILITY

- Lopi Answer
- 1250 Insert

## ITEMS NEEDED FOR ASSEMBLY

- 5/16" Nutdriver
- Small & Large Standard Screwdriver

## PACKING LIST

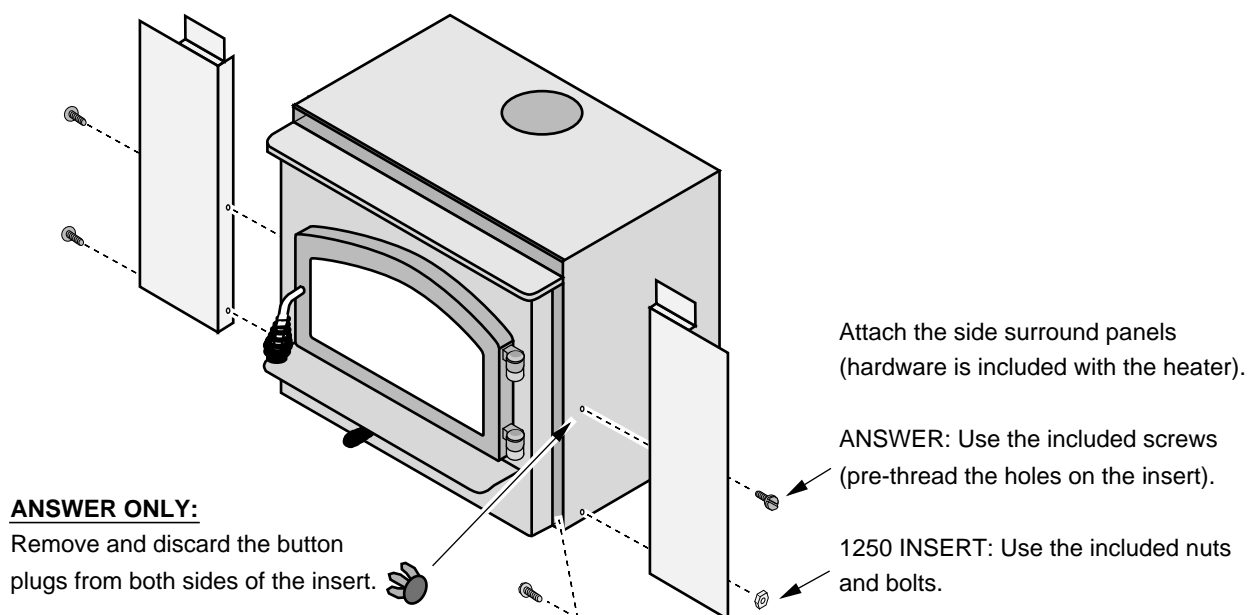
- Top and Side Panels
- Four 10-24 Self-Threading Screws
- Trim (with hardware)
- Two Leveling Bolts – for leveling the stove in the fireplace
- (7) Spring Clips

## PANEL SIZING and PART NUMBERS

Surround Panel Size	Size (Including Trim)	Black Trim #
8"	40 1/8" width by 28 1/4" height	99300285
10"	44 1/8" width by 30 1/4" height	99300286

## INSTALLATION INSTRUCTIONS

1. With the insert 12" from the fireplace, install the side surround panels (see the directions below).



# Panel Set, Answer, 1250 Insert (see part #'s below)

2. Adjust the position of the side panels so they are: 1) aligned with the top of the insert; 2) both the same distance back from the front of the insert; 3) perpendicular to the floor (use the top panel, if necessary, to judge alignment). Tighten the screws that hold the side panels in place.
3. Place the insert into the fireplace and connect the flue (if using a positive or direct connection). Install the top panel and trim following the directions below.

