



Answer / 1250i 1 Piece Surround Panel

See SKUs Below

SKUs

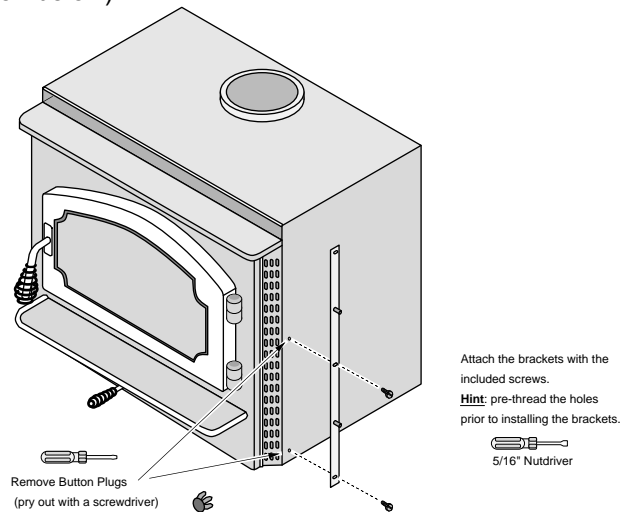
	Height	Width
Custom Panel 96100593	Custom	Custom
Small Panel 96100440	28.5"	40"
Medium Panel 96100441	30.5"	42"

Packing List

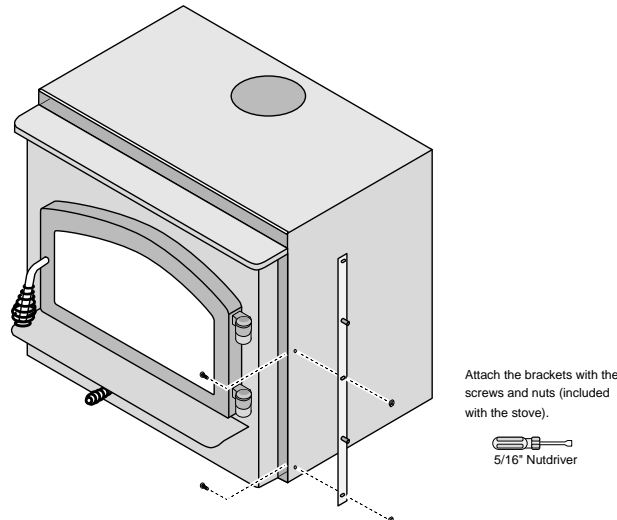
- Panel
- (2) Panel Mounting Brackets
- (6) 10-24 Pan Head Screws
- Drill Bit
- (6) 10-24 Nuts
- (4) 10-24 Thread Forming Screws (Hex Head)
- (2) Leveling Bolts (for leveling the insert in the fireplace)

Installation

1. The insert should be in position, but pulled out slightly to allow access to the sides and top of the insert.
2. **Answer Inserts** - attach the side brackets to the side of the insert using the included 10-24 thread forming screws (see illustration below).



1250 Inserts – attach the side brackets to the side of the insert using the pan head screws and nuts included with the insert (note how the screws install from the inside – see illustration below).



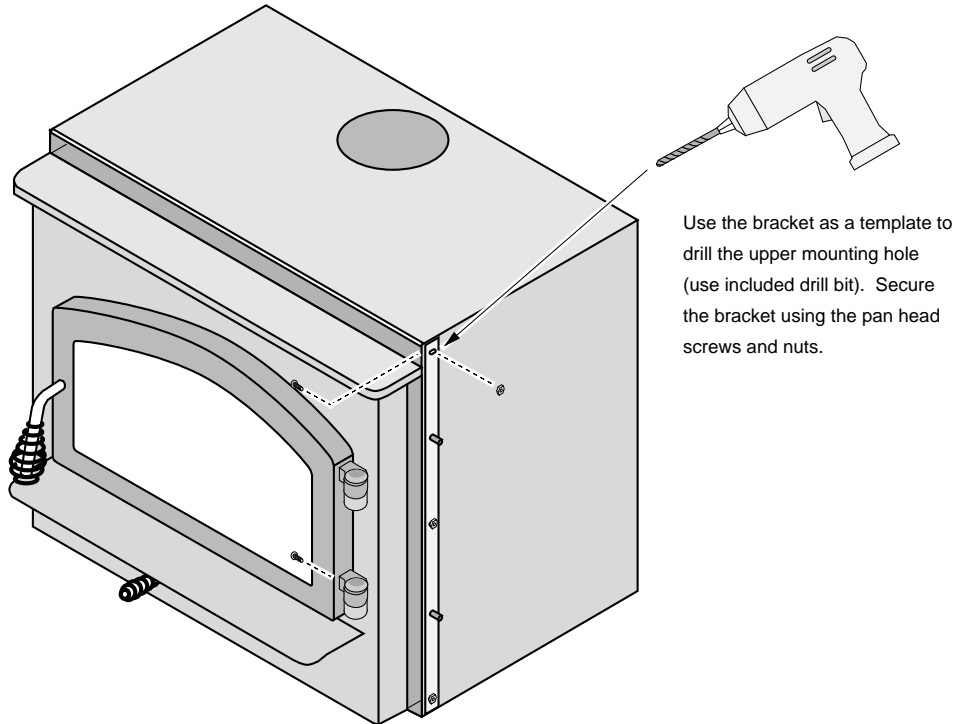


Answer / 1250i 1 Piece Surround Panel

See SKUs Below

3. **Answer and Older 1250 Inserts:** Use the included drill bit to drill a hole into the top convection channel as shown in the illustration below.

All Units: Use the included pan head screws and nuts to fully secure the side brackets (align if necessary).



4. Place the insert into position (flue attached). Attach the surround panel as shown below.

